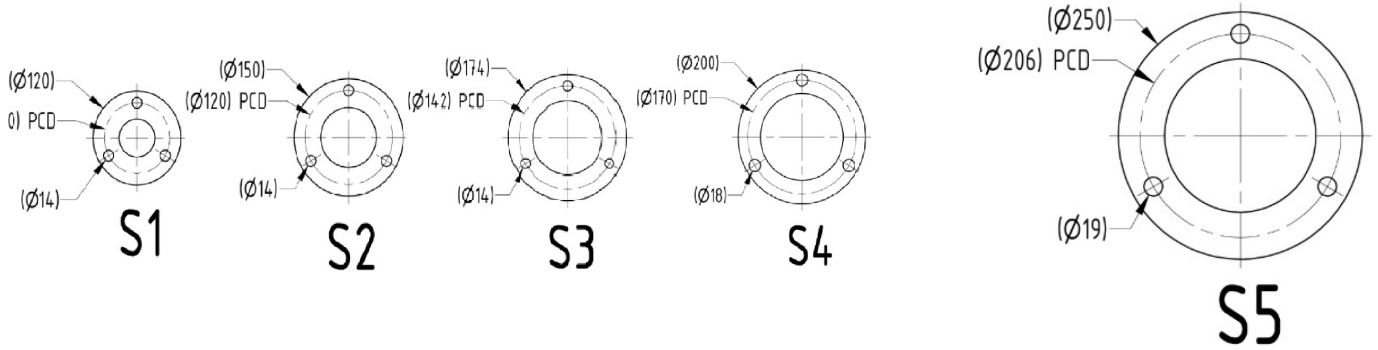




Accessories

Bolt Down / Flange Plate

Stainless Steel

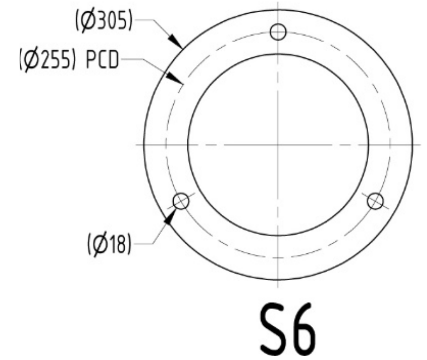


Bolt down/flanged products are supplied with a base plate(s).

Stainless steel base plates are round and vary in size dependant on the product.

Bollards will have one flange plate, perimeter barriers will have 2 flange plates (one per leg).

We recommend that only stainless steel bolts are used with stainless steel flange plates.



Tube Diameter (mm)	Flange Details							
	Thickness	Shape	Size	# of Holes	Diameter of holes	# of Fixing	Size of fixings	Type
48	5mm	Round	120mm	3	14mm	3	12mm	S1
60								
76	5mm	Round	150mm	3	14mm	3	12mm	S2
90								
101	5mm	Round	174mm	3	14mm	3	12mm	S3
114								
129	5mm	Round	200mm	3	18mm	3	16mm	S4
139								
154	5mm	Round	250mm	3	19mm	3	16mm	S5
168								
204	5mm	Round	305mm	3	18mm	3	16mm	S6

Product Details

- Stainless Steel
- 3 bolts required per baseplate

Installation & use

Bolt down to a suitable concrete surface.
 Telescopic, removable and concrete in are supplied with welded fixing spikes to ensure firm ground anchorage into concrete.
 Telescopic, removable and concrete in require a suitable excavated hole for installing into concrete.
 Products are guaranteed for 12 months (if installed and used correctly).



www.autopa.co.uk
 +44 (0)1788 550556

AUTOPA Limited
 Cottage Leap, Rugby, Warwickshire CV21 3XP

